

All you need to know about...

P261 Rafter Gasket Glazing System

January 2010

Standard System

Reference: P261
Colour: Mill Finish, White or Brown (RAL colours to order)
Length: 3 metre and 4 metre (and 6 metres as individual components), white also available in 2.5 metre and 3.5 metre lengths, other lengths may also be available.

Description:

An aluminium capped rafter gasket glazing system into which multiwall polycarbonate up to 25mm thickness can be fitted.

The P261 system is designed to be fitted onto 60mm wide rafters and consists of a 60mm wide rafter gasket (ref. 261), an aluminium cap (ref. 226), gaskets (ref 226G) and a push fit end plate (ref. 226EP).

The rafter gasket is nailed to the rafter using galvanised nails at 300mm intervals, the glazing sheet sits on the rafter gasket and the cap is drilled at intervals no more than 350mm apart. 65mm stainless steel wood screws are then fitted through the cap into the rafter. A screw cover cap is needed to cover and protect the head of the screw.

The P261 system is supplied as a pre-pack in 3 metre and 4 metre lengths and as loose items in 6 metres. Mill finish as well as polyester powder coated white (RAL9910 satin) and brown (RAL8040 satin) are available as standard. We can also supply the aluminium cap painted to a specific RAL colour although this may be subject to a minimum quantity requirement and surcharge.

Hip System

Reference: P261H
Colour: Mill Finish, White or Brown
Length: 3 metre and 4 metre (and 6 metres as non-standard)

To make the bar suitable for a hipped application, the glazing bar cap is changed for a wider more angled cap and re-named as P261H. The P261H system is supplied as a pre-pack in 3 metre and 4 metre lengths and as loose items in 6 metres. The 3 metre and 4 metre pre-pack consists of the aluminium glazing bar cap, 60mm wide rafter gasket, bubble gasket pressed in the full length of the aluminium cap down either side and a wide push fit plastic end plate.

Applications:

- Rafter Assembly Roofing
- Canopies
- Lean-To Conservatories
- Conservatories
- Car Ports
- Porches

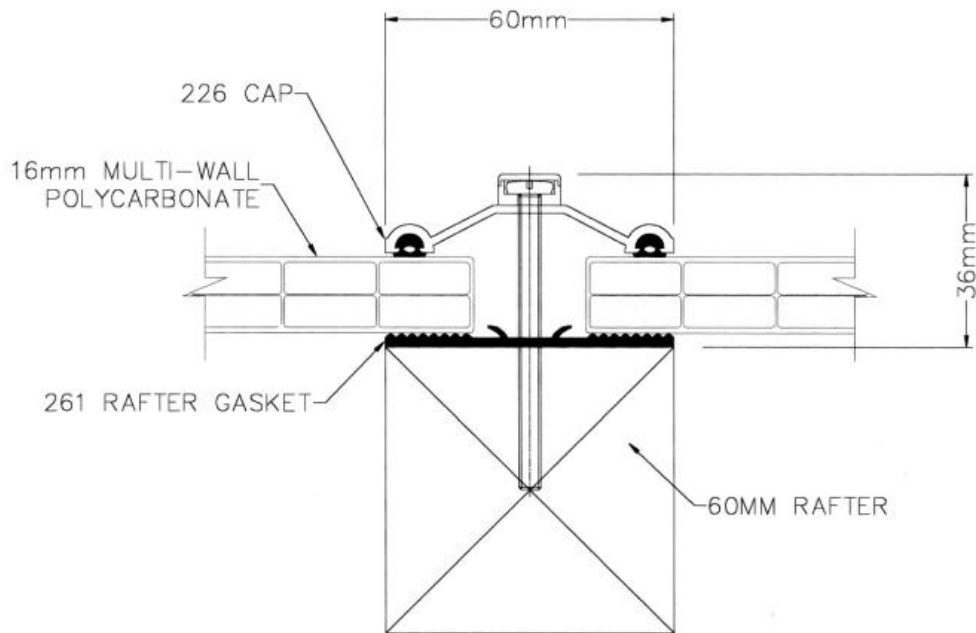
* **NOTE:** Maximum recommended polycarbonate glazing centres, i.e.:

10mm sheet	=	700 mm
16mm sheet	=	990mm
25mm sheet	=	1250mm

Glazing with Glass

The P261 system is suitable for use with glass up to 24mm thickness. Twinfix cannot advise as to the size of rafters required or at what centres they should be placed.. Twinfix do recommend that a mechanically fixed end plate similar to our RG-MEP end plate be fitted at the foot of each bar.

P261 RAFTER GASKET GLAZING BAR SYSTEM






226/261 RAFTER GASKET

The P261 system is used to install multiwall polycarbonate, solid polycarbonate or glass in thickness ranging from 4mm to 25mm onto rafters at least 60mm in width. The P261 can be supplied either as a pre-pack complete with the aluminium cap, gaskets and end plate or as loose individual items. The P261 system can also be supplied as a hipped system with a glazing bar cap that is 70mm wide and more angled than the standard version.

Rafter width:	Minimum 60mm
Pack lengths available:	3 metres, 4 metres
Pack contents:	261 rafter gasket 226 aluminium cap with gasket fitted 226EP polycarbonate stop end plate
Loose item lengths available:	6 metres
Colours available:	Mill, or powder coated white or brown RAL or BS colours to special order

Complementary Fixing Accessories for use with the P261 rafter gasket system:

Side Trim Ref 272 – 10mm Ref 273 – 16mm Ref 275 – 25mm 	U Profile Ref 252 – 10mm Ref 253 – 16mm Ref 255 – 25mm 		
Eaves Filler Ref 226F 	<table> <tr> <td> Fixing Buttons (white) Ref244P – 10mm Ref245P – 16mm Ref249P – 25mm </td> <td> Fixing Buttons (Brown) Ref247P – 10mm Ref248P – 16mm Ref250P – 25mm </td> </tr> </table>	Fixing Buttons (white) Ref244P – 10mm Ref245P – 16mm Ref249P – 25mm	Fixing Buttons (Brown) Ref247P – 10mm Ref248P – 16mm Ref250P – 25mm
Fixing Buttons (white) Ref244P – 10mm Ref245P – 16mm Ref249P – 25mm	Fixing Buttons (Brown) Ref247P – 10mm Ref248P – 16mm Ref250P – 25mm		
Anti-dust/Breather Tape Ref FT or PBT 10 Ref FT or PBT 16 Ref FT or PBT 25	Butyl Flashing 200/20 White 200/20 Lead		